

Trimble® AutoBid® Mechanical Software – Assembly Lists

This document provides a list of the Assemblies available in the AutoBid Mechanical database.

HVAC Assemblies

centrifugal chiller	CENTRIFUGAL CHILLER	
cond drain@equip	Condensate Drain at the AHU	1/2" - 2"
exp tank hookup	EXPANSION TANK - Threaded	1" - 2"
fan coil unit	FAN COIL UNIT	
fin tube down feed	FIN TUBE Radiation (DOWN FEED)	1/2" - 2"
fin tube up feed	FIN TUBE Radiation (UP-FEED/RSR)	1/2" - 2"
hot water boiler	HOT WATER BOILER	
humd1thrd	HUMIDIFIER (DUCT MTD) - Threaded	1" - 2"
mu water-copper	MAKE-UP WATER LINE (INCL PRV)	1/2" - 2"
shfd.5thru2thrd	SHOT FEEDER - Threaded	1/2" - 2"
Trapeze Angle Iron	Hangers	
Trapeze PowerStrut	Hangers	

Coil Assemblies

1hwc all sizes	1 - HIGH WATER COIL - (NO TCV Station)	1/2" - 12"
1hwc2way all sizes	1 - HIGH WATER COIL W/ 2-WAY TCV	1/2" - 12"
1hwc3w all sizes	1 - HIGH WATER COIL W/ 3-WAY TCV -Welded	2 1/2" - 4"
2hwc all sizes	2 - HIGH WATER COIL - (NO TCV Station)	1/2" - 12"
2hwc2w all sizes	2 - HIGH WATER COIL W/ 2-WAY TCV	1/2" - 12"
2hwc3w all sizes	2 - HIGH WATER COIL W3-WAY TCV	1/2" - 12"
2wtcv all sizes	2-WAY CONTROL VALVE STATION	2 1/2" - 12"
3hwc all sizes	3 - HIGH WATER COIL W/ 2-WAY TCV	2 1/2" - 12"
3hwc2w all sizes	3 - HIGH WATER COIL W/ 2-WAY TCV	2 1/2" - 12"
3hwc3w all sizes	3 - HIGH WATER COIL W/ 3-WAY TCV	2 1/2" - 12"
3wtcv all sizes	3-WAY CONTROL VALVE STATION	2 1/2" - 12"
rhc2w all sizes	REHEAT COIL (INCL 2-WAY TCV)	1/2" - 2"
rhc3w all sizes	REHEAT COIL (INCL 3-WAY TCV)	1/2" - 2"

This document is for informational purposes only and is not a legally binding agreement or offer.
Trimble makes no warranties and assumes no obligations or liabilities hereunder.

Heat exchangers

hxhw1thrd	HEAT EXCH – WATER SIDE	½" - 2"
hxhw2.5wld	HEAT EXCH – WATER SIDE	2 ½" - 10"
hxs1.5thrd	HEAT EXCH – STEAM SIDE (NO PRV STA) -Thrd	1 ½" - 2"
hxs1prv1.5thrd	HEAT EXCH – STEAM SIDE w/ (1) PRV -Thrd	1 ½" - 2"
hxs1prv2.5plus	HEAT EXCH – STEAM SIDE w/ (1) PRV -Welded	2 ½" - 14"
hxs2.5+SteamSide	HEAT EXCH – STEAM SIDE (NO PRV STA) -Welded	2 ½" - 14"
hxs2prv2.5plus	HEAT EXCH – STEAM SIDE w/ 1/3 – 2/3 PRV -Weld	2 ½" - 14"

Pumps

cond drain@pump	Condensate Drain @ PUMP	½" - 2"
espm all sizes	END SUCTION PUMP	2 ½" - 12"
hspm 2.5 plus	HORIZONTAL SPLIT - CASE PUMP	2 ½" - 16"
ilpm all sizes	INLINE PUMP	2 ½" - 16"
vspm2.5plus	VERTICAL SPLIT - CASE PUMP	2 ½" - 16"

Steam Coils

1hsc.5thru2thrd	1 HIGH STEAM COIL - THREADED (NO PRV Station)	½" - 2"
1hsc1prv1.25thrd	1 HIGH STEAM COIL - SINGLE PRV - THRD	1 ¼" - 2"
1hsc1prv2.5plus	1 HIGH STEAM COIL - SINGLE PRV - Welded	2 ½" - 12"
1hsc2.5wld	1 HIGH STEAM COIL - WELDED (NO PRV Station)	2 ½" - 4"
2hsc1prv2.5plus	2 HIGH STEAM COIL w/ SINGLE PRV - Welded	2 ½" - 12"
2hsc2.5plus	2 HIGH STEAM COIL - WELDED (NO PRV Station)	2 ½" - 12"
2hsc2prv2.5plus	2 HIGH STEAM COIL w/ 1/3 - 2/3 PRV -Welded	2 ½" - 8"
3hsc2.5plus	3 HIGH STEAM COIL - WELDED (NO PRV Station)	2 ½" - 10"
3hsc2prv2.5plus	3 HIGH STEAM COIL w/ 1/3 - 2/3 PRV -Welded	2 ½" - 12"
drip w/ check vlv	Steam Trap with check valve	
drip w/o check vlv	Steam Trap without check valve	

Steam Press Red Sta

1prv.5thru2thrd	SINGLE VALVE STEAM CONTROLLER Station -Threaded	½" - 2"
1prv2.5wld	SINGLE VALVE STEAM CONTROLLER STA -Welded	2 ½" - 4"
2prv2.5wld	1/3 - 2/3 STEAM CONTROL STA. - Welded	2 ½" - 14"

Unit Heaters

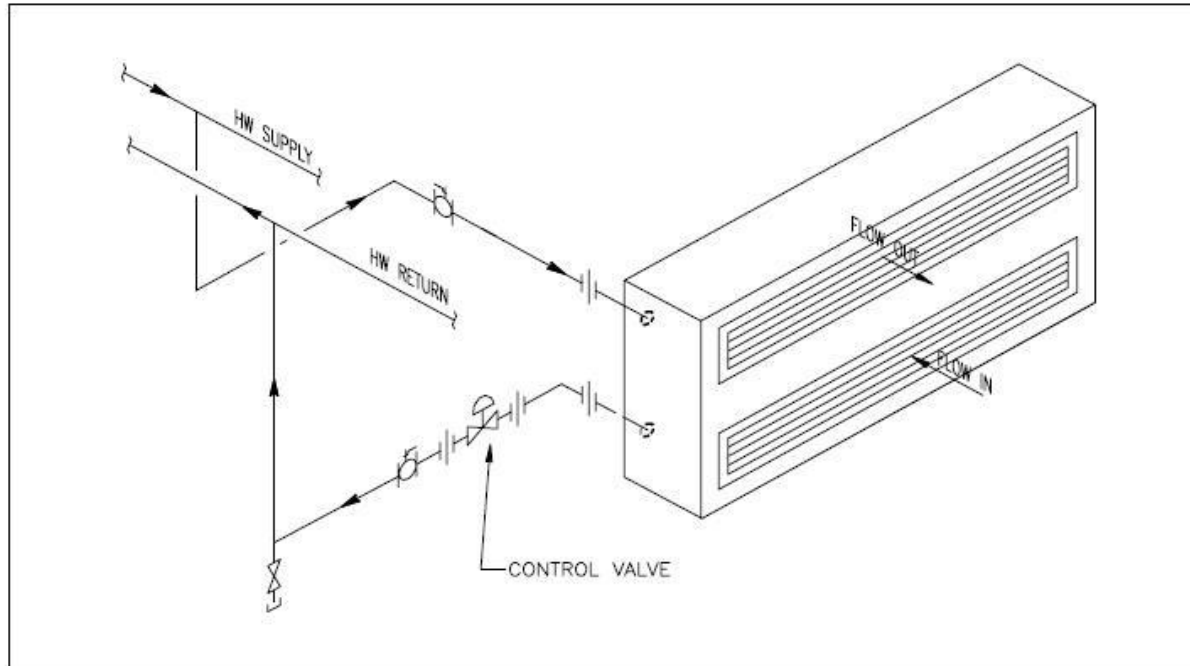
cabinet unit htr	CABINET UNIT HEATER (DOWN-FED)	½" - 2"
uh.5thru2	HOT WATER UNIT HEATER	½" - 2"
uhs.5thru2thrd	STEAM UNIT HEATER - Threaded	½" - 2"

View Assembly Drawing

To see a drawing of the assembly, select the assembly and touch the **F9** key.

CAB UNIT HEATER (DOWN-FED)

1/2" - 2"



Plumbing Assemblies

Battery w/o Carrier

ALL UPPERCASE LETTERS

1LAV	1 Lavatory
1UR	1 Urinal
1WC	1 Water closet
1WC1LAV	1 Water closet - 1 Lavatory
1WC1LAV1FD	1 Water closet - 1 Lavatory - 1 Floor Drain
1WC1UR1LAV1FD	1 Water closet - 1 Urinal - 1 Lavatory - 1 Floor Drain
1WC2UR2LAV1FD	1 Water closet - 2 Urinals - 2 Lavatories - 1 Floor Drain
2WC2LAV1FD	2 Water closets- 2 Lavatories - 1 Floor Drain
2WC2UR2LAV1FD	2 Water closets- 2 Urinals - 2 Lavatories - 1 Floor Drain
3WC2LAV1FD	3 Water closets- 2 Lavatories - 1 Floor Drain
4LAVS	4 Lavatories
4WC2LAV1FD	4 Water closets- 2 Lavatories - 1 Floor Drain
4WC3LAV1FD	4 Water closets- 3 Lavatories - 1 Floor Drain
BB 2WC2LAV	BB 2 Water closets- 2 Lavatories
BB 2WC2LAV2FD	BB 2 Water closets- 2 Lavatories - 2 Floor Drains
BB 3WC1UR2LAV2FD	BB 3 Water closets- 1 Urinal - 2 Lavatories - 2 Floor Drains
BB 6WC2UR2FD	BB 6 Water closets- 2 Urinals - 2 Floor Drains
BB 6WC2UR4LAV2FD	BB 6 Water closets- 2 Urinals- 4 Lavatories- 2 Floor Drains

To see a drawing of the assembly, select the assembly and touch the **F9** key.

