



# SysQue

This document provides basic information about new features and modifications in the latest release of the Trimble® SysQue® software. More detailed information can be found in the online help system.

## Introduction

These release notes describe the features and enhancements that are new for the major installer release dated 2018-10-15. For additional assistance, please email [support@sysquesupport.zendesk.com](mailto:support@sysquesupport.zendesk.com) or call 1-800-234-3758.

### \*\*\*NEW\*\*\* Upgrade procedure

**There are no longer separate full installer and upgrade installers. There is now only one per Revit year. And, Yes, it is supposed to be that fast!**

**Warning: Do NOT uninstall your last SysQue version before installing this one. Doing so can cause loss of system data.**

To download the latest release, log into SysQue support forum (<https://sysquesupport.zendesk.com/hc/en-us/articles/213715843-SysQue-Software-Downloads>) and select the installer required for your version of Revit.

For additional instructions see the document [SysQue Full Installation Instructions](#) also available on the forum under SysQue Software Downloads.

## Compatibility

### Autodesk software

This release of SysQue is compatible with the current releases of Autodesk® Revit® versions 2017, 2018, 2019.

### Windows

SysQue is compatible with Microsoft® Windows® versions 7, 8, and 10.

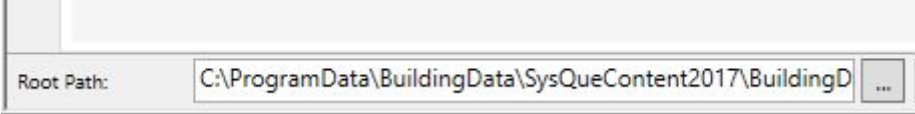
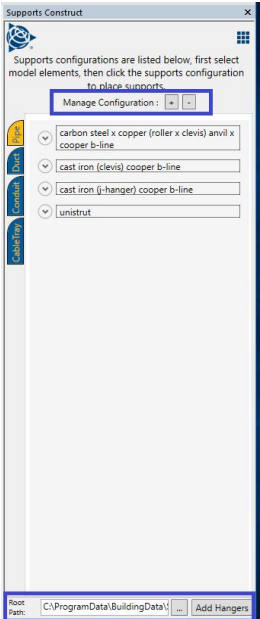
### Backward compatibility

Digital models produced in Revit cannot be saved to or opened in previous versions.

Version: 6.1

Date: October 2018

# New Features, Enhancements, and Updates

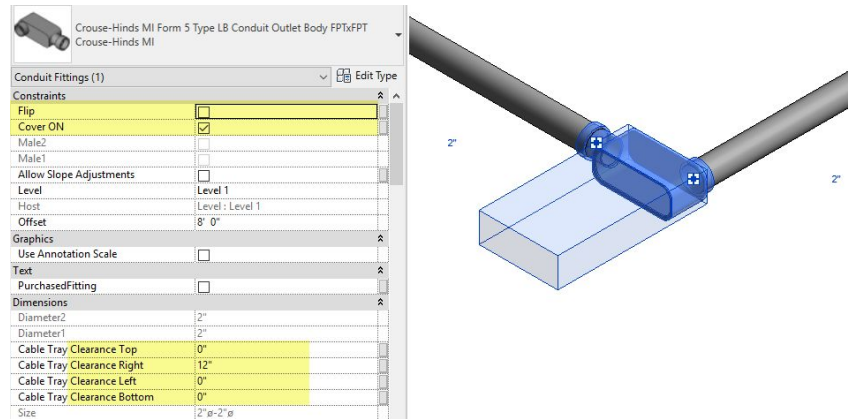
<p><b>General</b></p>	<ol style="list-style-type: none"> <li>The primary purpose of this release was a complete overhaul of how the Building Data Content is served to the user. Because of this architectural change the following changes have been released: <ul style="list-style-type: none"> <li>No more separate update and full installers, just ONE installer for each Revit year</li> <li>New installations have gone from minutes to seconds</li> <li>All content loaded on the BD website will be shown in the “Add Fittings.” No need to go to website, find new fittings, add to cart, and download through the Data app, it is already there - ready for use!</li> <li>No need to use the “Refresh Available Fittings” function in BD Updater as the data will be synchronized in real time</li> <li>No need to synchronize the local content anymore to get new nominal sizes.</li> </ul> </li> <li>When opening a discipline palette after a clean install of 6.1, you may have to specify the Root Directory (lower part of any SysQue panel):  <p>Revit 2017: C:\ProgramData\BuildingData\SysQueContent2017\BuildingData  Revit 2018: C:\ProgramData\BuildingData\SysQueContent2018\BuildingData  Revit 2019: C:\ProgramData\BuildingData\SysQueContent2019\BuildingData</p> </li> </ol>
<p><b>Supports</b></p>	<p>Supports now act similar to pipe, duct and electrical in accessing content. You can now “Manage Configuration” and “Add Hangers” into those configurations just like you would set up systems in Pipe, Electrical and Duct and add fittings to them.</p> 
<p><b>Pipe</b></p>	<p>None</p>

Duct

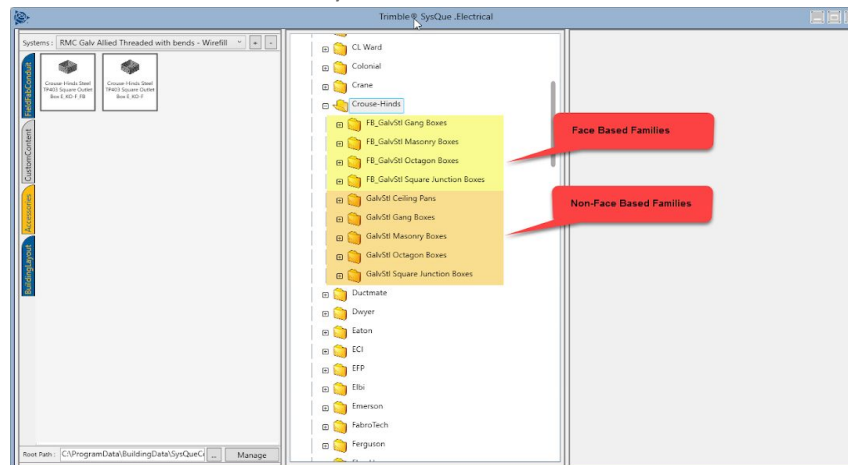
None

Electrical

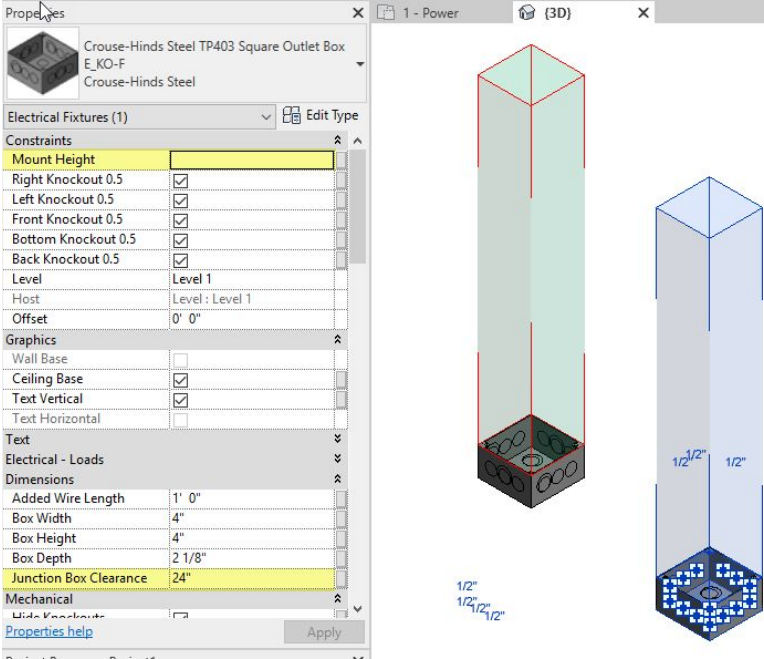
1. Updates to electrical families include the Flip parameter on conduit body elbows (LB, LR, LL) and clearance parameters for all sides of the fitting.



2. We copied all the junction boxes that were originally face based and created non-faced based families as well. As shown in the dialog box, the original face based families were moved to folders that contain "FB" in the directory name. The new Non-Face based junction boxes are in the original folders. If you have junction boxes in your systems and download new fittings you will get the Non-Faced based junction boxes. If you want Faced based boxes in your systems, add them from the directories that contain "FB" in the directory names.



3. The Non-Face Based junction boxes now have a "Mount Height" parameter for defining the elevation of the box. Also note, all junction boxes have Junction Box Clearance zone on the open side of the junction box.

	
<b>PAC</b>	None
<b>Spool</b>	None

## Bug Fixes:

- #21621 - Issues placing hangers on tray
- #21834 - Multiple User Defined Points in a family are not exporting multiple locations
- Hangers with the same name are not getting # number when processing points with Point Manager
- #21659 - Point manager can now recognize points on “CP CS fig 200V Vee Clevis Hanger EG”
- #19854 - Rectangular floor sleeves points in point manager

## Additional Notes:

### Spooling

There is a change that was made to the Revit 2018 API that has caused an issue with creation of spool drawings that use non-3D views. The other views are not being properly “Cropped”. As a work-around you can create only 3D views and orient them as if they were Plan or Section views.

## Legal Notices

Trimble Inc.  
116 Inverness Drive East, Suite 210  
Englewood, Colorado 80112  
800-234-3758

## Copyrights and Trademarks

©2017, Trimble Inc. All Rights reserved. Trimble, the Globe & Triangle logo, and SysQue, are trademarks of Trimble Inc., registered in the United States and in other countries. Microsoft, and Windows are either registered trademarks or trademarks of Microsoft Corporation in the United States and/or other countries. Revit is a registered trademark or trademark of Autodesk, Inc. All other trademarks are the property of their respective owners.

## Release Notice

This is the February 2018 release (V5.2) of the Release Notes. It applies to version 2018-02-14 of the SysQue software.

It pertains to the release noted elsewhere in this document. The topics within this document are subject to change without notice. Screenshots included may not be exactly as in the software application.