

2017 v1 RELEASE NOTES

Trimble® DuctDesigner 3D® Software

- Introduction
- Modification/Enhancements
- Essential Release Information
- Update Installation Instructions
- Product Assistance

Trimble Navigation Limited
116 Inverness Drive East, Suite 210
Englewood, Colorado 80112
800-234-3758

Legal Notices

Copyright and Trademarks

©2004-2016 Trimble Navigation Limited. All rights reserved.

Trimble and the Globe & Triangle logo are trademarks of Trimble Navigation Limited, registered in the United States and in other countries. DuctDesigner 3D is a registered trademark of Trimble Navigation Limited. Other brand and product names are trademarks or registered trademarks of their respective holders.

This publication, or parts thereof, may not be reproduced in any form, by any method, for any purpose, without the written consent of Trimble Navigation Limited.

Release Notice

This is the Trimble DuctDesigner 3D Release Notes (Revision A). It applies to release 2017 v1 of the software.

The topics within this document are subject to change without written notice. Companies, names, and data used in any examples are fictitious. Screenshots included in the topics may not be exactly as in the software application.

Edition

Trimble® DuctDesigner 3D Release Notes
Part # DD3D8059.08.0416 Release Notes 2017 v1

Tuesday, April 12, 2016 12:02 pm

Introduction

This document provides basic information about new features and modifications in release 2017 v1 of the Trimble® DuctDesigner 3D® software. More detailed information can be found in the online help system.

What You Receive with Release 2017 v1

- One Trimble DuctDesigner 3D Installation DVD
- One DuctDesigner 3D *Let's Get Started* document

Upgrade Procedure

Please refer to the DuctDesigner 3D [Update Installation Instructions](#) section of this document for information and requirements to install this update. Trimble recommends that you print these instructions to help ensure proper operation of the software application after installation.

Compatibility

Autodesk® Software

This release of DuctDesigner 3D software is compatible with:

- AutoCAD® 2017
- AutoCAD® Architecture 2017
- AutoCAD® MEP 2017

It will not work with any other version of these applications.

Operating Systems

This version of the DuctDesigner 3D software is compatible with 64-bit Windows® 7, Windows 8, and Windows 10 operating systems. Your version of AutoCAD must correspond with the proper version of the DuctDesigner 3D software, as well as the operating system.

Note – *The DuctDesigner 3D software is not compatible with 32-bit Windows Operation systems.*

Trimble Connect

Trimble Connect provides a method for designers, builders, owners and operators to collaborate, share and view project information. For more information go to connect.trimble.com.

Trimble® MEP Integration

With the Trimble MEP layout solution, mechanical, electrical, and plumbing contractors can increase productivity and simplify the layout of sleeves and hangers.

Trimble® Field Link

Trimble Field Link allows you to easily manage layout tasks by employing a task-based workflow featuring advanced Layout, Reporting, and Model Viewer functionality. This release of the PipeDesigner 3D software is compatible with:

- Trimble Field Link, versions 2.2 or later
- Trimble Field Link, versions 2.1 and earlier

Trimble® AutoBid® SheetMetal Integration

The DuctDesigner 3D software includes the ability to export data in a format that can easily be imported into the AutoBid SheetMetal database. Refer to the online help in each of the software applications for detailed instructions.

Vulcan Integration

The Export to Vulcan feature allows selected duct and fittings within a drawing to be transferred directly from DuctDesigner 3D® to the Vulcan cutting software, eliminating the need for manual input of those items into the cutter program. This also greatly reduces the chance of input errors at the fabricator.

Backward Compatibility

DuctDesigner 3D entities are not backward compatible. Drawings created in Autodesk compatible products that are subsequently saved in a previous format (version) cannot be edited. Graphics are viewable as proxy graphics only. Always save drawings in the current version format.

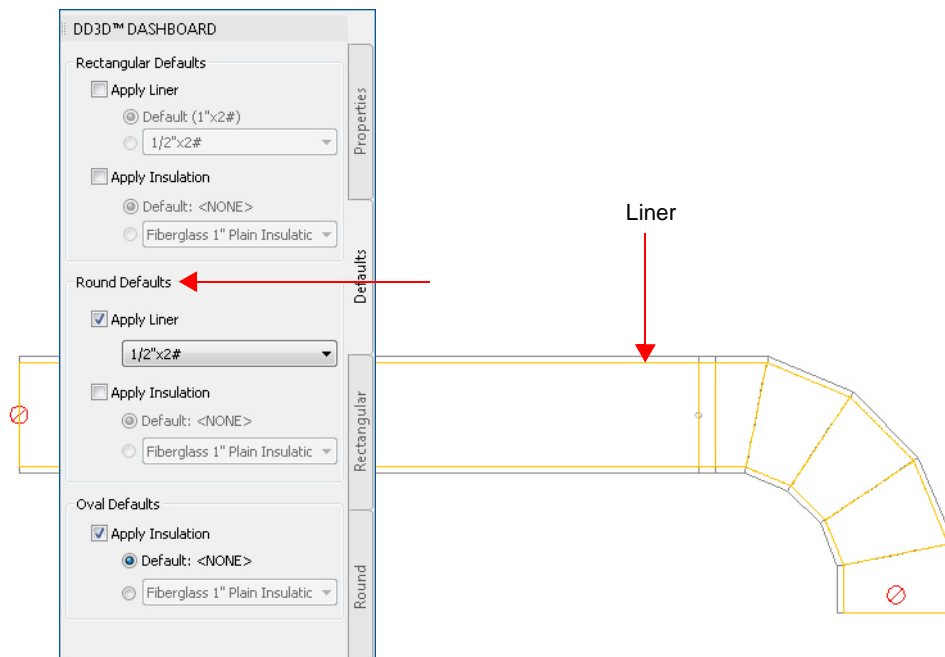
Modification/Enhancements

The following modifications and enhancements have been added to the DuctDesigner 3D software in this release.

DuctDesigner 3D CAD

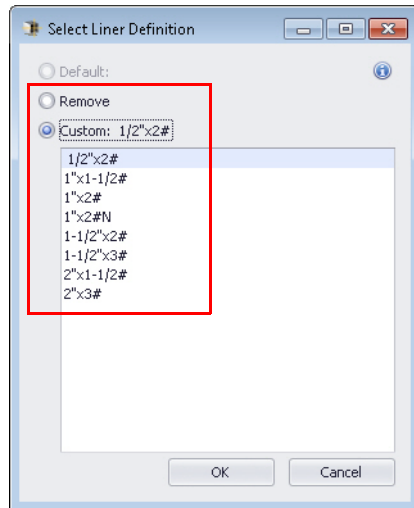
Liner on Round Duct/Fittings

You now have the ability to add liner to round duct and fittings (on the *Defaults* tab).



- This feature is similar to adding liner to rectangular duct/fittings; however, a default liner is not defined. You must click ▼ and then select the liner you wish to use.

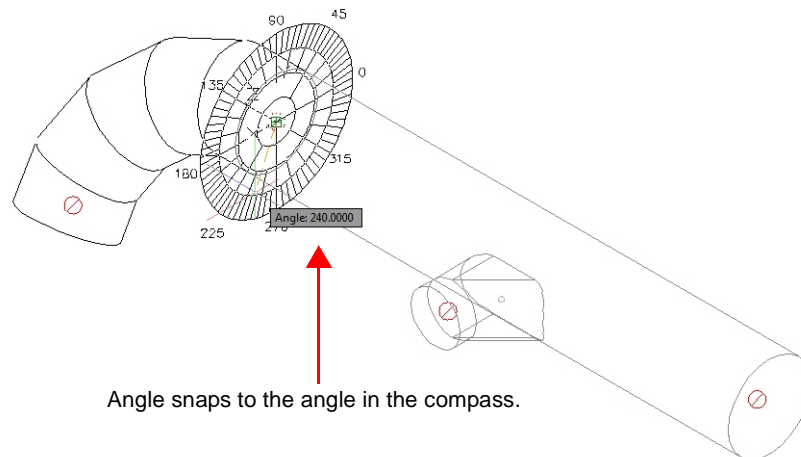
- You can also add liner to existing round duct and fittings under **DD3D™ Entities / Liner**. This command also allows you to remove liner from round duct/fittings when necessary.



Enhanced Compass

This release of DuctDesigner 3D includes an enhanced compass for rotating fittings. The enhanced compass offers the following:

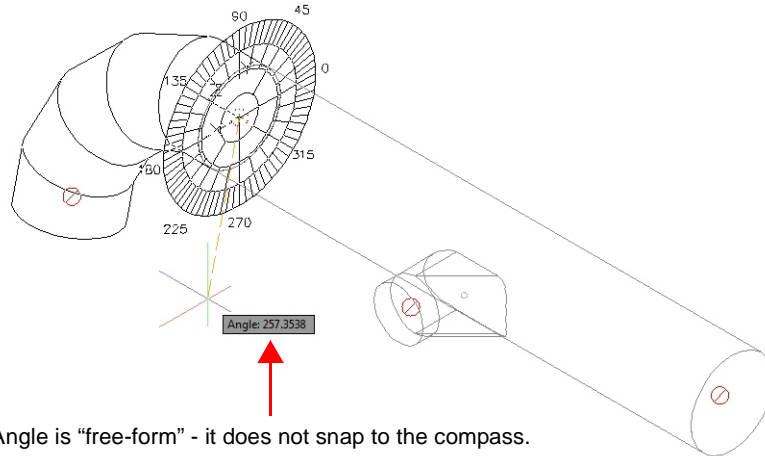
- **Inside Compass**
When you move the part to the desired location and left-click, the DuctDesigner 3D compass displays. When you move your cursor inside the compass, you:
 - Are limited to 5, 15, 45, or 90 degree increment placements.
 - Can also type in a rotation angle.



- **Outside Compass**

When you move the part to the desired location and left-click, the DuctDesigner 3D compass displays. When you move your cursor *outside* the compass, you are not limited on placement rotation. You can:

- Snap to a DuctDesigner 3D part opening, or any AutoCAD snap, to define the angle of your rotation. **Note:** This may prove extremely helpful when trying to line up openings.
- Type in a rotation angle



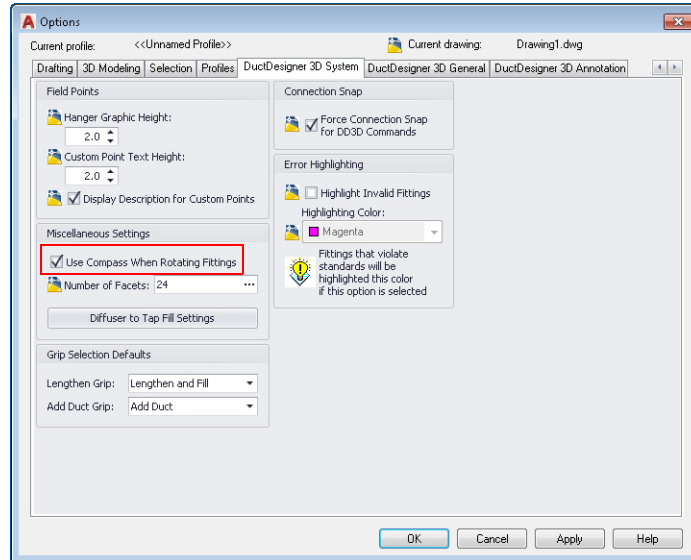
- **Inside/Outside Compass Features**

The following apply to both inside and outside the compass.

- As you move your cursor, a tooltip displays showing the current angle.
- An angle entered at the Command Line overrides a compass angle.

- **Compass Display**

In the *Options / DuctDesigner 3D System* dialog, a new *Use Compass When Rotation Fittings* checkbox is available.



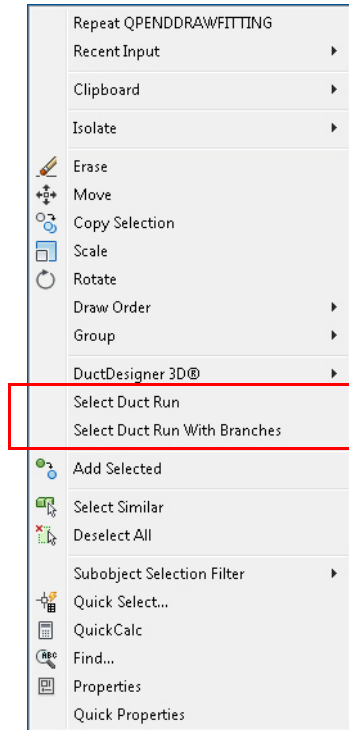
Selecting this checkbox displays the compass when connecting new fitting and/or rotating existing fittings.

Note – This checkbox is selected by default. You can clear it if you do not want to use the compass. This disables the compass globally.

Select Duct Run/Select Duct Run with Branches

New commands are now available on the right-click menu that allow you to select a run of duct or a run of duct with branches.

Note – *You must first click on an item before going to the menu command(s).*



Select Duct Run

- All connected entities on a main trunk run are selected.
- Taps and branches from taps are not selected

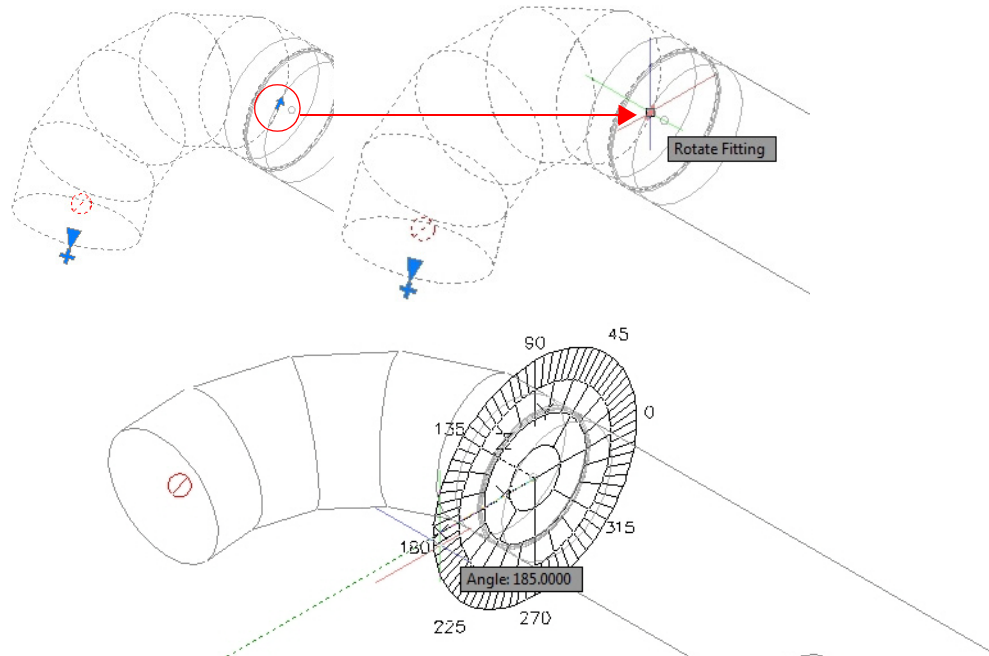
Select Duct Run With Branches

- All connected entities on a main trunk are selected.
- All taps and branches from taps are also selected.

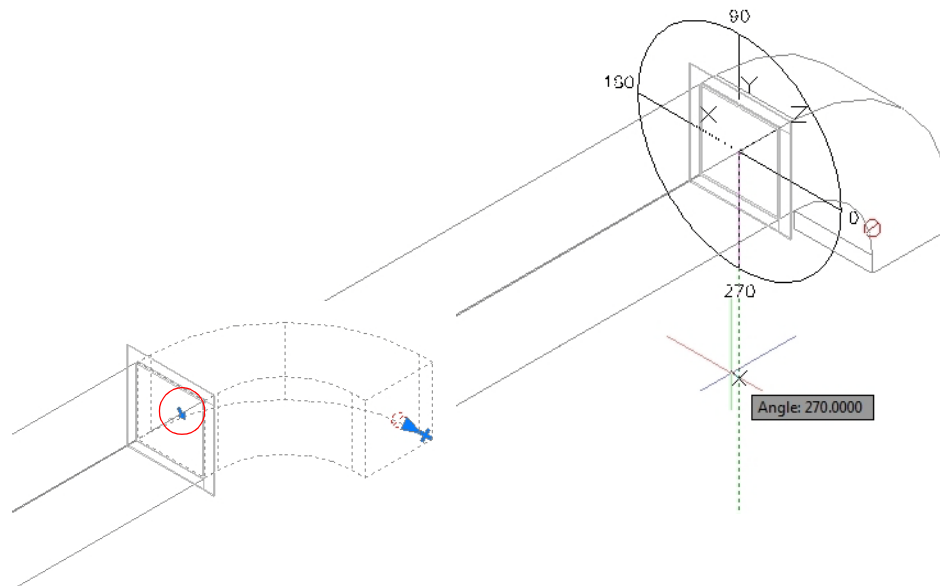
These commands make it easier to perform certain functions, such as moving or copying entire runs of duct.

Flip (Rotate) Grip

The flip (rotate) grip has been enhanced allowing you to specify an angle using a compass. When you select a fitting and then click the flip grip, a compass displays. You can change the angle of the fitting using the compass.



Note – For rectangular and oval duct and fittings, the compass displays only 90 degree increments.



Tip – If the *Use Compass When Rotating Fittings* checkbox is cleared (under *Options / DuctDesigner 3D System*), the grip works as it did in previous releases of the software.

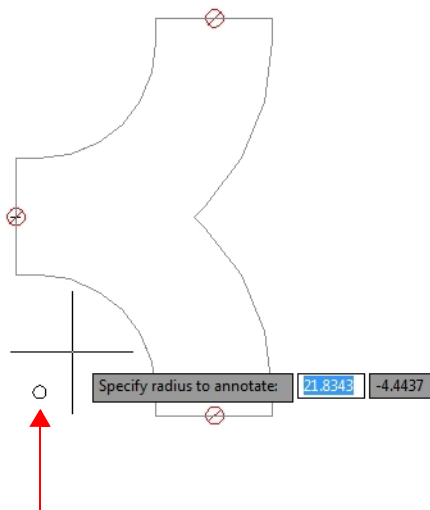
Annotations

Radius Annotations

You can now annotate the radius on more fittings, including both branches on rectangular fittings with multiple branches (Wye branches and Wye). The following fittings are affected:

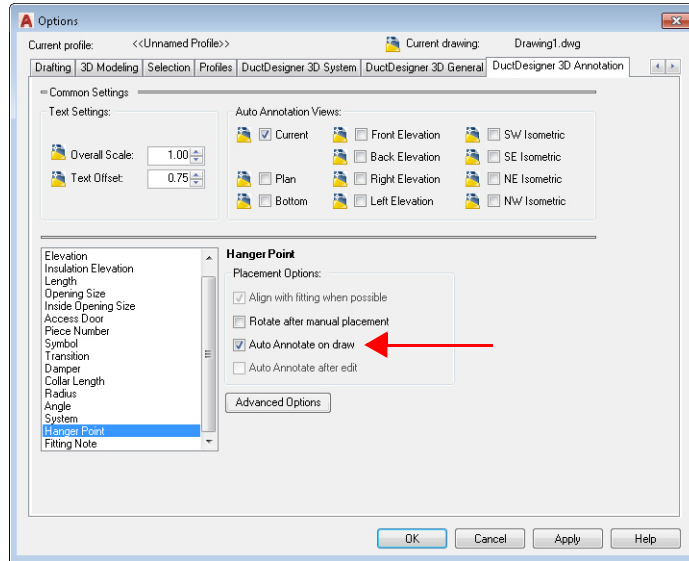
- Radius Throat/Radius Heel Rectangular Wye Branch
- Radius Throat/Square Heel Rectangular Wye Branch
- Radius Throat/Radius Heel Rectangular Tee
- Radius Throat/Square Heel Rectangular Tee
- Radius Throat/Rectangular Wye

When you select one of these fittings, you will be prompted for the radius you wish to annotate. You simply select the edge of the fitting for placement. The DuctDesigner 3D application determines what you wish to annotate based on this selection.

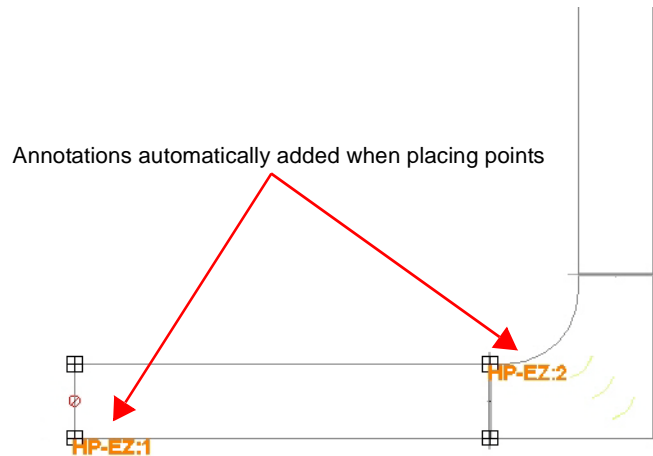


Hanger Point Annotations

This release of the DuctDesigner 3D software allows you to place hanger point annotations as you place them. This feature must first be activated under *Options / DuctDesigner 3D Annotation*.

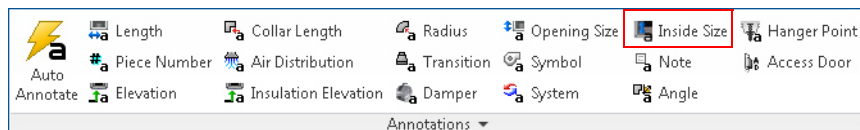


When activated, as you place Hanger Points, annotations are automatically added to the point (as defined in the *Insert Hanger Points* dialog).



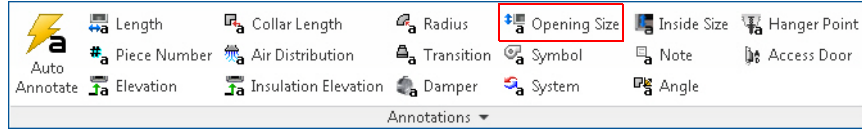
Liner/Double wall Annotations

A new **Inside Size** annotation command is now available under *DD3D™ Annotate / Annotations*. This allows you to add annotations to the inside of lined and/or double wall duct.



Opening Size (Size)

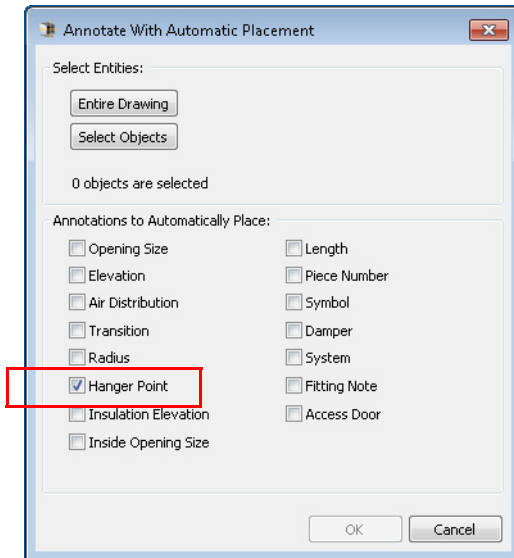
Under *DD3D™ Annotate / Annotations*, the *Size* label has been modified to read **Opening Size**. This is consistent with other references throughout the DuctDesigner 3D application.



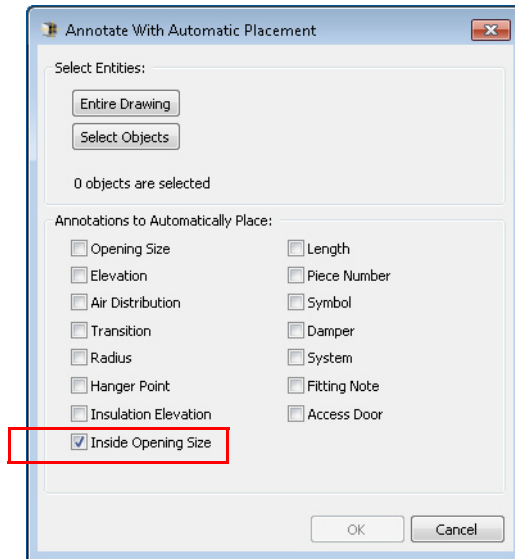
Automatic Annotations

The following modifications have been made to the *Annotate with Automatic Placement* dialog (under *DD3D™ Annotations / Auto Annotate*).


- A *Hanger Point* checkbox has been added to this dialog (in conjunction with the Hanger Point annotation enhancements). When this checkbox is selected and you then select your run, the existing hanger points are automatically annotated (as defined in the *Insert Hanger Points* dialog).



- An *Inside Opening Size* checkbox is now available in this dialog. When this checkbox is selected and you then select your run, lined/double wall objects are automatically annotated.



Set Dashboard Options

New commands have been added to the right-click (pop-up menu). These menu commands behave in the same manner as the match buttons  on the DD3D™ Dashboard. When you click on a part and then select **DuctDesigner 3D** on the menu, the following commands are available:

- **Set Dashboard System**
- **Set Dashboard System and Pressure**
- **Set Dashboard System, Pressure and Wall**

Additional Modifications

- The order of the Point Filters (under *DD3D™ Tools / Point Filters*) now matches the order set in other Trimble 3D CAD products.



- When you need to modify a scope, you can now select the entity first and then go to *DD3D™ Entities / Scope*.

Note – *In previous versions, you had to select the command first and then the entity.*

-
- From time-to-time, upgrading a DuctDesigner 3D drawing created in a previous version may not upgrade properly when opened/saved. This required another upgrade when the drawing was opened a second time. This issue has been corrected.
 - The DuctDesigner 3D software now supports the latest export format for the Trimble construction layout tools. For more information, visit the [Trimble MEP](#) website.

Essential Release Information

- **Autodesk Compatible Products Settings**

- When working in a virtual environment, AutoCAD Hardware Acceleration may need to be disabled to avoid graphic issues, such as the appearance of stray lines (that do not look correct). Go to **Options / System / Graphics Performance** to disable this setting.
- A new *Smooth Line Display* option has been added under **Options / System / Graphics Performance**. This setting can make lines on a drawing appear thicker/brighter. If desired, you can disable this option with no effect on your drawing.
- Highlighting changed in AutoCAD versions after 2015: A "blue edging" was added to selected items. This makes items selected much more visible in your drawing.

The ***SelectionEffect*** variable determines how an item displays when it is selected.

The ***PreSelectionEffect*** variable determines how an item displays when you hover over it.

The AutoCAD default has these variables active. To turn these off, enter the command followed by **0**.

- **Note for Autodesk Building Design Suite**

When either AutoCAD Architecture or AutoCAD MEP are installed as standalone products, three shortcuts are created on the desktop and in the *Start* menu. These are:

US Imperial

US Metric

Global

When the Autodesk Building Design Suite (a suite of Autodesk products including AutoCAD, AutoCAD Architecture and AutoCAD MEP) is installed, only one shortcut is created on the desktop and on the *Start* menu for AutoCAD Architecture and for AutoCAD MEP. These shortcuts Default to the Global user profile. These shortcuts can be changed to the ***US Imperial*** or ***US Metric*** profile if desired.

- **AutoCAD Templates**

DuctDesigner 3D projects should not be attached to AutoCAD Template Drawings.

-
- **Database Backup/Restore Limitations**

Backup and Restore are controlled through Microsoft SQL Server, which has limitations on file locations. Backup and Restore files cannot be located on the Windows Desktop, My Documents folder, or in a Network location. For backups, you must select a location to a local folder (other than those stated above) and then copy the resulting file to a network directory for safekeeping. When restoring, you must copy the backup you want to restore to a local folder (other than those stated above) prior to beginning the process.
 - **Login Screen**

In the DuctDesigner 3D Login screen, the SQL Server field may be listed, but is missing the Trimble suffix. If this is the case on your computer, go to the end of the field and enter \Trimble and then continue logging into DuctDesigner 3D.
 - **Virtual Computer Environments**

Due to increased security requirements in the DuctDesigner 3D software, virtual computer licensing is valid for a 90-day period after licensed. Contact MEP Client Services to renew this type of license.
 - **Microsoft® SQL Server®**

Initial DuctDesigner 3D Installation

If Microsoft SQL Server is already installed on the computer Where you are installing the DuctDesigner 3D software, the database will not automatically restore/connect. Contact MEP Client Services for assistance in configuring your Microsoft SQL Server.
 - **Client Exports**

The Client Export no longer contain field points of any type. You must use the appropriate Field Point Export option.
 - **Square to Round Saddle Taps / Vulcan**

Square to Round Saddle Taps do not currently export to Vulcan.
 - **IFC Export**

When importing an IFC file that has been created through the DuctDesigner 3D software back into AutoCAD Architecture or AutoCAD MEP, if the default Display Manager Configuration is not set to Standard, some DuctDesigner 3D items may not display until the Display Manager is configured properly.
 - **Trimble Connect**
 - When uploading files, if the files reside in a location that requires login credentials to access, you will need to provide these in order to complete the process. You must open Windows Explorer and then provide the appropriate login credentials before you can perform the upload.
 - When performing either an upload or a download, if the destination selected contains file(s) with the same name, those files will automatically be overwritten. If you want to retain the original file, you must rename or move/copy them to another location.

-
- **Trimble® MEP Integration**
In order to use the Field Points enhancements in the DuctDesigner 3D software, your Trimble MEP software requires using the latest version available. For more information regarding this and other improvements to Trimble MEP, please see the Trimble MEP Support Page. You can also download this update from this page.
 - **DuctDesigner 3D Context Sensitive Help**
DuctDesigner 3D context sensitive (F1) help is not linked in all windows and may not work properly when executed on a DD3D™ command; however, online help for both the DuctDesigner 3D drawing program and Data Editor is fully accessible from the Help tabs/menus.
 - DuctDesigner 3D CAD: **DD3D™ Tools / Help**
 - DuctDesigner 3D Data Editor: **Help**
 - **DuctDesigner 3D / PipeDesigner 3D® Instances – Same Computer**
In some cases, when the DuctDesigner 3D and the PipeDesigner 3D® software are run in the same AutoCAD instance simultaneously, you may receive unexpected results. Trimble recommends that you not run these applications in the same AutoCAD instance. You can, however, run them in separate AutoCAD instances.

Update Installation Instructions

DuctDesigner 3D Version Verification

1. Open the CAD side of DuctDesigner 3D.
2. Click the **DD3D™ Tools** tab.
3. Click **Help / About**. Refer to the information below based on the version currently installed.

Upgrade from Previous Release

Proceed with the installation using the instructions outlined in this document.

Clean Computer

If you are installing the DuctDesigner 3D 2017 v1 software on a clean computer, refer to the *Installation* guide available on the DVD. Go to **Explore Installation Disk** and navigate to the **Help** folder.

Verify Autodesk® Application


If you are installing the CAD side of the DuctDesigner 3D application, refer to [Compatibility, page 3](#) to verify that you have a compatible version of the Autodesk software resident on your computer before attempting to install this update.

Note – *If you are installing the Data Server or DuctDesigner 3D Data Editor only, the Autodesk application is not required on the computer.*

Backup the DuctDesigner 3D Data

Before you install any update to DuctDesigner 3D, you should always back up your data. To preserve your important data, performing a backup is imperative before you begin the update process.

1. Choose **Start** and navigate to **Trimble DuctDesigner 3D**.
2. Click **Database Backup Utility**. The MS SQL Backup Wizard window opens. Refer to the online help system or the *Utilities* manual for detailed instructions on creating a backup of your DuctDesigner 3D database.

 **Tip** – Always save your backup outside of the DuctDesigner 3D program folders.

3. Once you have confirmed that the backup file has been successfully created, complete the remaining steps outlined in this section.

Backup Drawings

Trimble recommends that in addition to backing up your database, you backup all drawings to a network drive (or if already on a network, to a different location), or another media type (such as DVD-RW or flash drive). This ensures availability of your drawing should you experience data issues after installing this update.

Backup Menu Customizations

To preserve any menu customizations you may have created, you must back them up before installing the DuctDesigner 3D program. Save all menu backup files to another drive or media prior to beginning the update process. Refer to your Autodesk application's online help system for instructions on performing and saving backups.

Determine Installation Type

The update installation will install the DuctDesigner 3D software according to how it was originally installed (for example: Workstation, Stand-Alone, or DataServer only).

If you want to change the type of installation, you will need to uninstall the DuctDesigner 3D database and reinstall as a new user. Doing this may require licensing your software. Trimble recommends that you contact our MEP Client Services group for assistance.

Windows Applications

Make sure all Microsoft Windows® based applications are closed, including e-mail software.

DuctDesigner 3D Installation

Insert Installation DVD

Insert the DuctDesigner 3D Installation DVD into the appropriate drive of the computer designated as the stand-alone or server computer. Wait a moment.

If the installation does not start a few seconds after you insert the installation DVD, proceed as follows:

- Double-click on the **Computer** icon on your Desktop.
- Locate the drive containing the DuctDesigner 3D Installation DVD. Click on it to display the contents of the DVD.
- Double-click **autorun.exe** to open the DuctDesigner 3D main installation screen.

Note – *Depending on your computer settings, the .exe extension may not display.*


Installation Procedure

Note – *Before beginning this installation, your desired AutoCAD 2017 compatible product(s) must also be installed on the computer.*

1. Click on **DuctDesigner 3D**.
The InstallShield Wizard prepares to install the software. Please be patient. This procedure may take a few minutes.
2. The welcome screen displays. Click **Next**.
3. When installation is complete, click **Finish** and exit the DuctDesigner 3D software installation screen. Remove the DVD from your drive.

Note – *You may receive a message to restart your computer. Select **Yes, I want to restart my computer now** and then click **Finish**.*

4. Refer to the [Final Steps](#) section for additional instructions.

 **Tip** – If you are installing on a network, you must install this update on the server, as well as on all of the workstations. Follow the instructions above on each computer requiring the software.

Final Steps

Database Upgrade/Register Fittings

You must upgrade the DuctDesigner 3D database (Data Editor) before it will open on your computer. An employee with local administrative rights must login into DuctDesigner 3D to complete this procedure.

-
1. Open the CAD side of DuctDesigner 3D by clicking the on the Desktop icon.
OR
Navigate to the Windows **Start** menu and navigate to **Trimble DuctDesigner 3D / Trimble DuctDesigner 3D**-[Autodesk application].
 2. Click **Yes** in the message to complete the database upgrade. Depending on the size of your database and speed of your computer, this process may take a few minutes.
 3. In the *Project Selector* window, click on a project and then click **Select & Close**.
 4. Close the CAD side of DuctDesigner 3D.
 5. Open the Data Editor and then close it.

This procedure registers all fittings.

Open the DuctDesigner 3D Software

Provided you followed all instructions in this document, you are now ready to use the DuctDesigner 3D 2017 v1 software.

- Open the DuctDesigner 3D software as you normally do.
- If you installed as an update user (and not on a clean machine), you will need to add the Dynamic Hanger Blocks (see procedure below).
- The online help system contains step-by-step instructions on using many procedures.

Updating Drawings from Previous Releases

When you open a drawing created in a previous release of the DuctDesigner 3D software, you may receive a repair drawing message. The drawing must be converted to an AutoCAD format. When the Drawing is completely open, save it with a different name and reopen the drawing.

Updates/Metric Database

Upgrading from a previous version of The DuctDesigner 3D software that used the Metric database may cause the Report list to come up empty. If you experience this, contact MEP Client Services for instructions to bring the list back into view.

Product Assistance

Trimble offers several avenues to obtain help using the DuctDesigner 3D software program.

Accessing the Online Help

The online help is easy to use and is accessible through any of the following methods:

- Press the **F1** key at any time while using the program to display help for the current DuctDesigner 3D ribbon or dialog.
- Go to the **DD3D™ Tools** tab and click **Help**. You can scan the Table of Contents, use the Index, or the Search functionality to find the information you are looking for.
 - The **Table of Contents** is organized into categories for easy navigation.
 - Use the **Index** tab to locate key words throughout the help system.
 - Use the **Search** tab to find specific words used in the help system; for example, you might search for the word delete for instructions on deleting certain data from your system.

Trimble MEP Client Services

Before calling Client Services, we suggest you consult the online help. Many of the common procedures and questions are covered in this system.

Trimble MEP Client Services is available during regular business hours, Monday through Friday.

Note – *We are not available on major holidays.*

Telephone

Toll-free 1-800-234-3758

Internet e-mail mepsupport@trimble.com

Website mep.trimble.com

Third-Party Software Support

Trimble software may be integrated with third-party software applications (for example, accounting programs). Trimble MEP Client Services cannot provide in-depth support for third-party applications. Assistance is available *only* for procedures pertaining to how our software interfaces with non-Trimble applications.